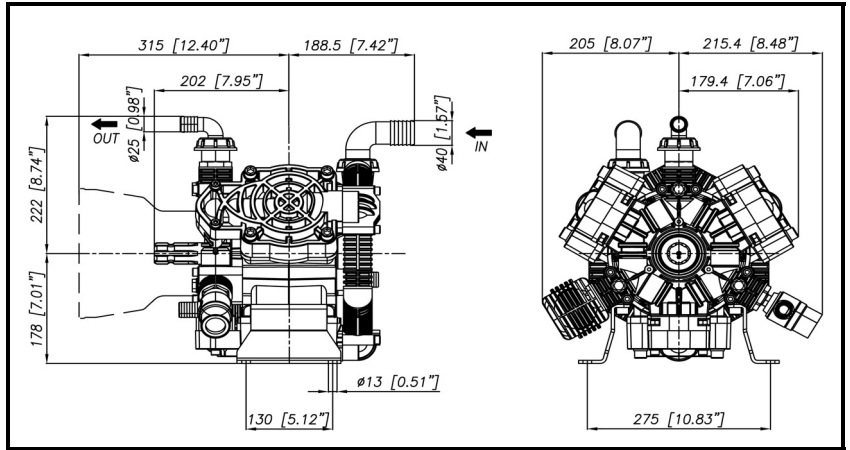
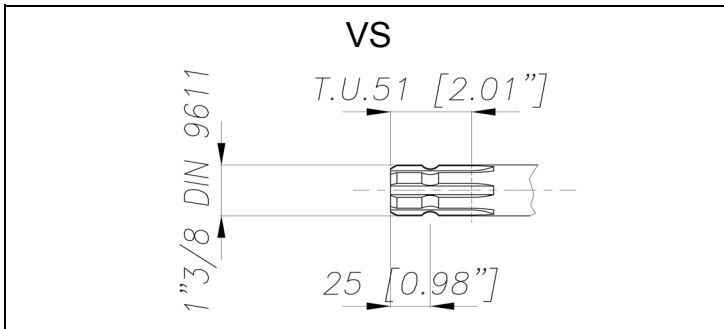




**DIMENSIONI D'INGOMBRO - OVERALL DIMENSIONS**



**ALBERO POMPA - PUMP SHAFT**



COPPIA DI SERRAGGIO - TORQUE CHART					
CODICE - CODE	Q.TY	POS	N-m	Lbr.ft	
16.0024.51.2	3	15	25	18,4	
86.2945.50.2	6	35	15	11,1	
86.3040.10.2	6	51	15	11,1	
86.2894.00.2	6	34	10	7,4	
86.3995.00.2	12	28	75	55,3	
86.3696.00.2	4	29	75	55,3	
86.2562.50.2	2	8	15	11,1	
86.2752.10.2	4	62	10	7,4	
85.2576.00.2	3	50	5 (LOXEAL 24-18)	3,7	
85.2720.00.2	1	49	5 (LOXEAL 24-18)	3,7	
Tolleranza di serraggio: 0/-10%					
Tolerance on torque value:					

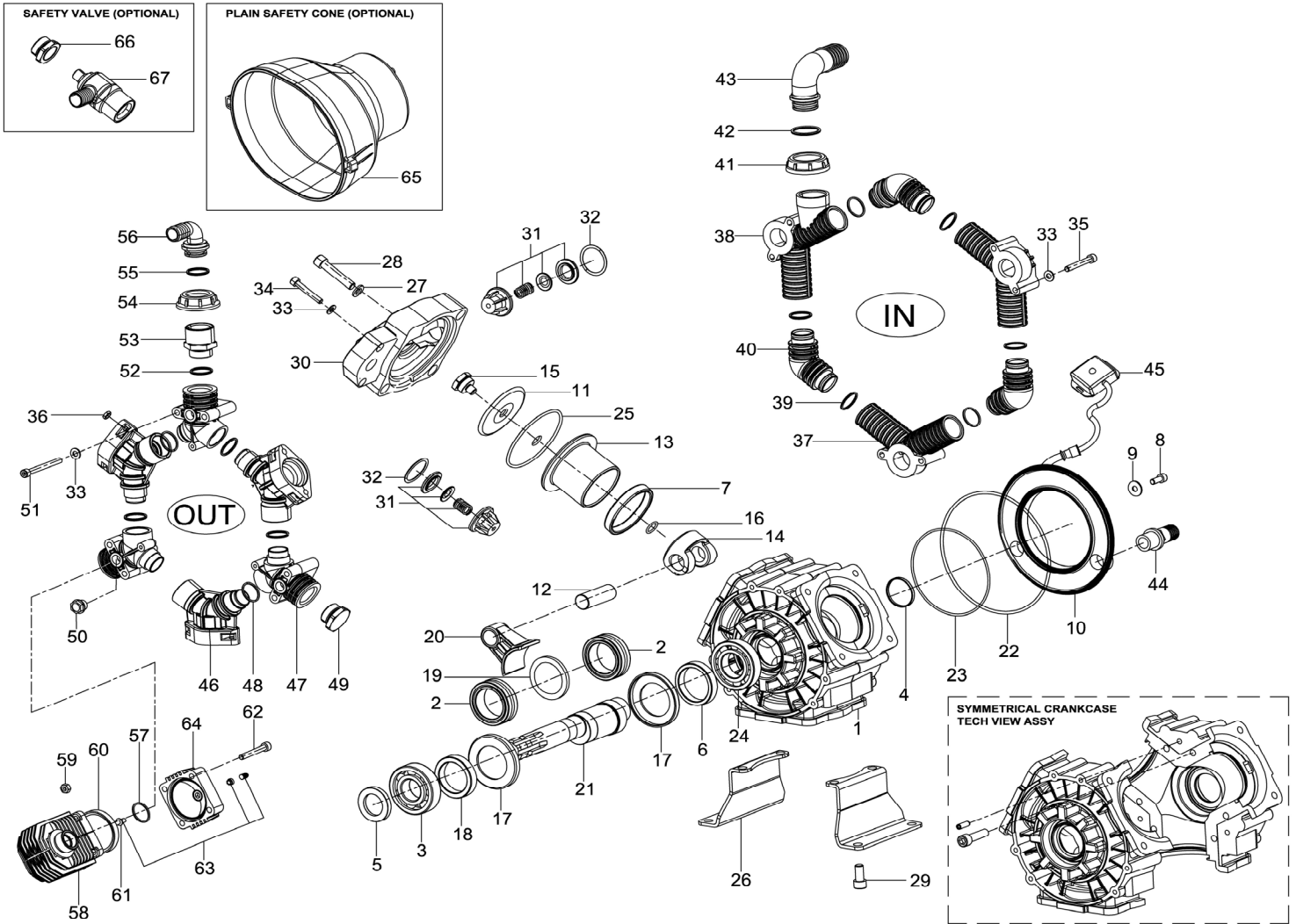
INFORMAZIONI UTILI USEFUL INFORMATION				
LUBRIFICANTE - LUBRICANT: GRASSO KLUBER CENTOPLEX GLP GRASSE KLUBER CENTOPLEX GLP				
PRESSIONE ACCUMULATORE ACCUMULATOR PRESSURE				
PRESSIONE DI LAVORO - OPERATING PRESSURE	2 + 5	5+12	12 + 20	20 + 50
ACCUMULATORE ACCUMULATOR	2	2 + 6	/	/

**KIT MEMBRANE - DIAPHRAGMS KIT**

KIT	16.9810.97.3	DESMOPAN													
POSIZIONE ESPLOSO POSITION NUMBER	16.9810.97.3	25	32												
QUANTITA' NEL KIT QUANTITIES INCLUDED		3	6												

**KIT POMPA/KIT VALVOLE - PUMP KIT/VALVES KIT**

KIT	16.9811.97.3	KIT POMPA PUMP KIT							16.9812.97.3	VALVOLE VALVES INOX							
POSIZIONE ESPLOSO POSITION NUMBER	16.9811.97.3	4	5	7	16	32	39	48	16.9812.97.3	31	32						
QUANTITA' NEL KIT QUANTITIES INCLUDED		1	1	3	3	6	6	6		6	6						



POS.	CODICE PART NO. REF.	DENOMINAZIONE - DESCRIPTION - DESCRIPTION	Q.TY	POS.	CODICE PART NO. REF.	DENOMINAZIONE - DESCRIPTION - DESCRIPTION	Q.TY
1	16.0019.07.2	CRANKCASE	1	34	86.2894.00.2	SCREW M8X50 UNI 5931	6
2	81.2918.00.2	NEEDLE ROLLER BEARING DIA.50X72X22	2	35	86.2945.50.2	SCREW M8X60 UNI 5931	6
3	81.2867.00.2	BALL BEARING DIA.35X80X21	1	36	81.4574.50.2	NUT M8 UNI 5588	6
4	80.2185.00.2	CAP DIA. 55X10	1	37	62.0003.32.2	MANIFOLD PIPE	2
5	80.2145.00.2	OIL SEAL DIA.35X55X8	1	38	62.0004.32.2	MANIFOLD PIPE G.1" 1/2	1
6	16.0020.76.2	SHAFT SPACER DIA.54,5	1	39	80.3219.00.2	O-RING DIA.3X25	6
7	80.2295.00.2	OIL SEAL D.80X100X10	3	40	16.0014.32.2	SUCTION CONNECTOR	3
8	86.2562.50.2	SCREW M8X20 UNI 5931	2	41	82.0070.00.A	WING NUT G.1" 1/2	1
9	84.3710.00.2	WASHER DIA.9X24X2	2	42	80.3219.10.2	O-RING DIA.3X30	1
10	16.0010.32.2	COVER	1	43	84.0591.00.2	90° ELBOW CONNECTOR DIA.40	1
11	16.0003.62.2	DIAPHRAGM WASHER	3	44	84.1610.00.2	STRAIGHT CONNECTOR DIA.25	1
12	16.0006.49.2	PISTON PIN	3	45	82.8226.00.2	FAILURE DIAPHRAGM SENSOR	1
13	16.0002.02.2	PISTON SKIRT	3	46	15.0007.32.2	Y COLLECTOR	3
14	16.0001.02.2	PISTON BODY	3	47	16.0018.32.2	DISCHARGE CONNECTOR	3
15	16.0024.51.2	DIAPHRAGM FIXING SCREW	3	48	80.3219.00.2	O-RING DIA.3X25	6
16	80.3200.00.2	O-RING DIA.2,62X22,22	3	49	85.2720.00.2	CAP G.1"	1
17	16.0008.61.2	SIDE RING	2	50	85.2576.00.2	CAP G.3/8"	3
18	16.0011.76.2	SHAFT SPACER DIA.51,5	1	51	86.3040.10.2	SCREW M8X80 UNI 5931	6
19	16.0012.76.2	BEARINGS SPACER	1	52	80.3219.10.2	O-RING DIA.3X30	1
20	16.0005.11.2	CONROD	3	53	83.5089.00.2	NIPPLES G.1"-G.1" 1/4	1
21	16.0021.26.2	SHAFT VS VERSION	1	54	82.0067.50.2	WING NUT G.1" 1/4	1
22	80.3212.40.2	O-RING DIA.2,62X202,87	1	55	80.3219.00.2	O-RING DIA.3X25	1
23	80.3141.00.2	O-RING DIA.2,5X132	1	56	84.0542.40.2	90° ELBOW CONNECTOR DIA.25	1
24	81.2900.00.2	BALL BEARING D.40X80X18	1	57	80.3219.10.2	O-RING DIA.3X30	1
25	14.0035.00.2	DESMOPAN PISTON DIAPHRAGM	3	58	27.0035.32.2	DAMPER BODY	1
26	16.0013.61.2	MOUNTING RAIL	2	59	81.4574.50.2	NUT M8 UNI 5588	4
27	84.3896.00.2	SCHNORR WASHER DIA.13X18X1	12	60	24.0041.31.2	DAMPER DIAPHRAGM	1
28	86.3995.00.2	SCREW M12X65 UNI 5931	12	61	80.3213.00.2	O-RING DIA.3X6	1
29	86.3696.00.2	SCREW M12X25 UNI 5931	4	62	86.2752.10.2	SCREW M8X35 UNI 5931	4
30	15.0006.32.2	HEAD	3	63	86.1608.50.2	AIR VALVE	1
31	28.9809.97.3	VALVE ASSY	6	64	11.0004.09.2	BALLASTER COVER	1
32	80.3314.00.2	O-RING DIA.4,5X40	6	65	31.1482.32.2	PLAIN SAFETY CONE (optional)	1
33	84.3693.00.2	WASHER D.8,4X17X1,6 UNI 6592	18	66	85.2721.00.2	CAP G.1" WITH THREAD G.3/8" (optional)	1
				67	24.3016.97.3	SAFETY VALVE 15 BAR (optional)	1